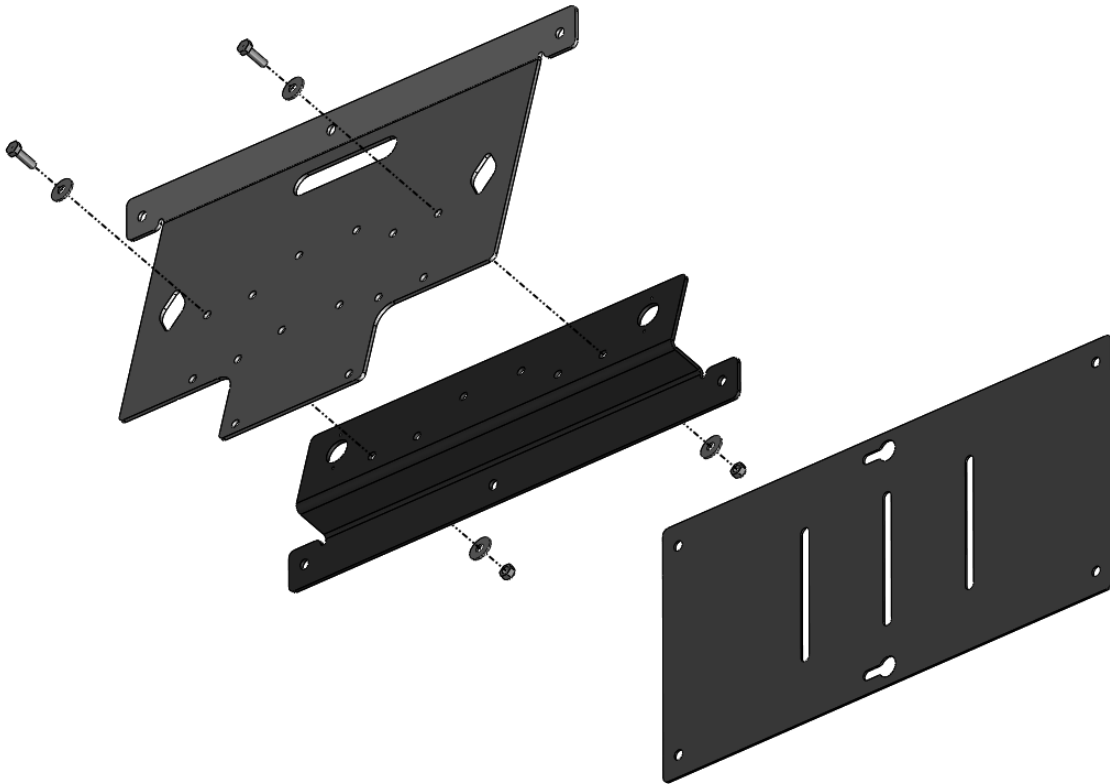




**2016 ON TACOMA  
COMPRESSOR BRACKET**

***INSTALLATION GUIDE***

**3523010**



No liability is assumed for damages resulting in the use of the information contained herein.  
ARB Air Locker Air Operated Locking Differentials, ARB Air Locker Air Activation System  
and Air Locker are trademarks of ARB Corporation Limited.  
Other product names used herein are for identification purposes only and may be trademarks of their  
respective owners.

---

## **ARB 4x4 ACCESSORIES**

Corporate Head Office

42-44 Garden St  
Kilsyth, Victoria  
AUSTRALIA  
3137

Tel: +61 (3) 9761 6622  
Fax: +61 (3) 9761 6807

Australian enquiries  
North and South American enquiries  
Other international enquiries

[sales@arb.com.au](mailto:sales@arb.com.au)  
[sales@arbusa.com](mailto:sales@arbusa.com)  
[exports@arb.com.au](mailto:exports@arb.com.au)

---

**[www.arb.com.au](http://www.arb.com.au)**

# Table of Contents:

<b>1</b>	<b>Introduction</b>	<b>4</b>
1.1	Pre-Installation Preparation	4
1.2	Description	4
1.3	Compatible Products	4
1.4	Kit Contents	4
1.5	Tool-Kit Recommendations	5
<b>2</b>	<b>Configuring the Bracket</b>	<b>6</b>
2.1	Pre-Assembly of Bracket (Single Compressor)	6
2.2	Assembling a Single Compressor (CKSA or CKMA)	6
2.3	Pre-Assembly of Bracket (Twin Compressor)	9
2.4	Assembling a Twin Compressor (CKMTA)	10
2.5	Installing the Compressor Manifold Kit (optional)	10
2.6	Installing the Air Filter Relocation Kit (x2) (optional)	11
<b>3</b>	<b>Installing the Compressor Bracket Assembly (CKMTA Shown)</b>	<b>13</b>
3.1	Remove OE Compartment and Fasteners	13
3.2	Installation of Compressor Bracket Assembly	13
3.3	Installation of Accessories	14
3.4	Post-Installation Check List	14

# 1 Introduction

## **IMPORTANT:**

To assure the highest level of planning and reliability goes into this installation, please read this guide in its entirety before attempting any modifications to the vehicle.

### 1.1 Pre-Installation Preparation

Although your *ARB Air Compressor Bracket* comes complete with all the step by step instructions you will need to install it, ARB recommends that you have your ARB Air Compressor installed by a trained professional. Many ARB distributors around the world have been fully instructed in *Air Compressor* installations by ARB, and have gained a wealth of experience and skill from years of performing similar installations.

Make sure your *Air Compressor Bracket* kit is the correct model for your application and that it contains all of the parts listed in section 1.4 below. Also be sure you have appropriately equipped yourself with all the necessary tools, parts, and materials to complete this installation and minimize vehicle down time (see section 1.5 *Tool-Kit Recommendations*).

Please refer to your ARB Compressor and Air Locker Operating & Service Manuals for information on operating, servicing, driving technique, or trouble shooting your ARB Air Locker(s) if installed.

**HINT:** Place a ✓ mark inside each of the  symbols as you complete each step. It is very important NOT to miss any of the steps!

### 1.2 Description

The Tacoma Compressor Bracket allows you to install a CKMTA with an Air Filter Relocation and/or Manifold Kit, CKMA, or CKSA in the rear LHS fender well of a Gen III Tacoma vehicle.

### 1.3 Compatible Products

- 171319 | Air Filter Relocation Kit (Recommended)
  - Note: (2) required when used with the CKMTA
- 171503 | Compressor Manifold Kit
- CKMTA Maximum Performance on-board (twin) Compressor
- CKMA High Output on-board (single) Compressor
- CKSA Compact on-board (single) Compressor
- ARB Air Lockers (which include Solenoid Kits)

### 1.4 Kit Contents

- (1) 3750249 PLATE COMP BRKT UPPER
- (1) 3750250 PLATE COMP BRKT LOWER
- (1) 3195056 PLATE COMP BRKT COVER
- (2) 6151213 BOLT M6 x 1.0 x 20 PC8.8 BZ
- (4) 4581082 WASHER FLAT M6 x 19 x 1.6 BZ
- (2) 6151549 NUT NYLOC M6 x 1.0 PC8 BTZP480
- (1) 3789762 F/INST 3523010 BKT TACOMA (*THIS DOCUMENT*)



# 1 Introduction

## 1.5 Tool-Kit Recommendations

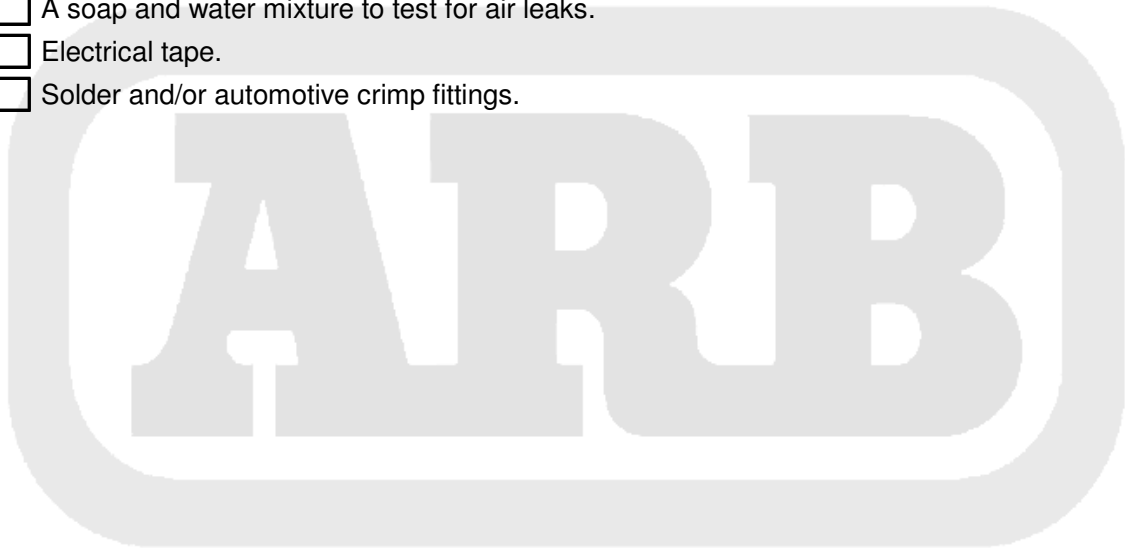
Below is a list of tools and supplies you may need to complete this installation.

### 1.5.1 Tools

- Standard automotive sizes (metric and/or imperial) of sockets, wrenches, Alan keys, power drill/driver, No.2 Phillips and T30 Torx bits, Torque Wrench 5->20Nm range.
- A razor knife to cut the rubber hose.
- A leak test gauge (i.e., ARB# ALTG01).
- A multimeter
- A soldering iron.

### 1.5.2 Supplies

- Thread lubricant/sealant compound for pressure fittings (e.g., LOCTITE #567 Teflon paste or plumbing supply Teflon tape)
- A soap and water mixture to test for air leaks.
- Electrical tape.
- Solder and/or automotive crimp fittings.



## 2 Configuring the Compressor Bracket

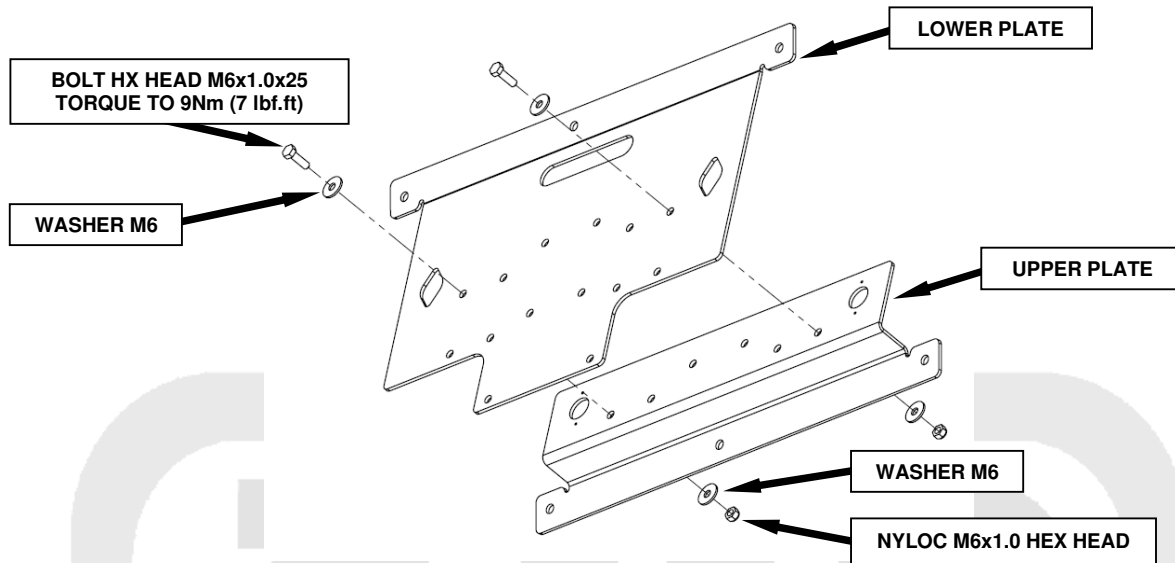
### 2.1 Pre-Assembly of Bracket (Single Compressor)

#### **IMPORTANT :**

This step applies to installation of a Single Compressor (ie CKMA or CKSA).

Use the supplied M6 fastener sets as shown below to connect the two brackets in the assembly.

**NOTE :** Take care to align all holes carefully then torque to 9Nm (7 lbf.ft).



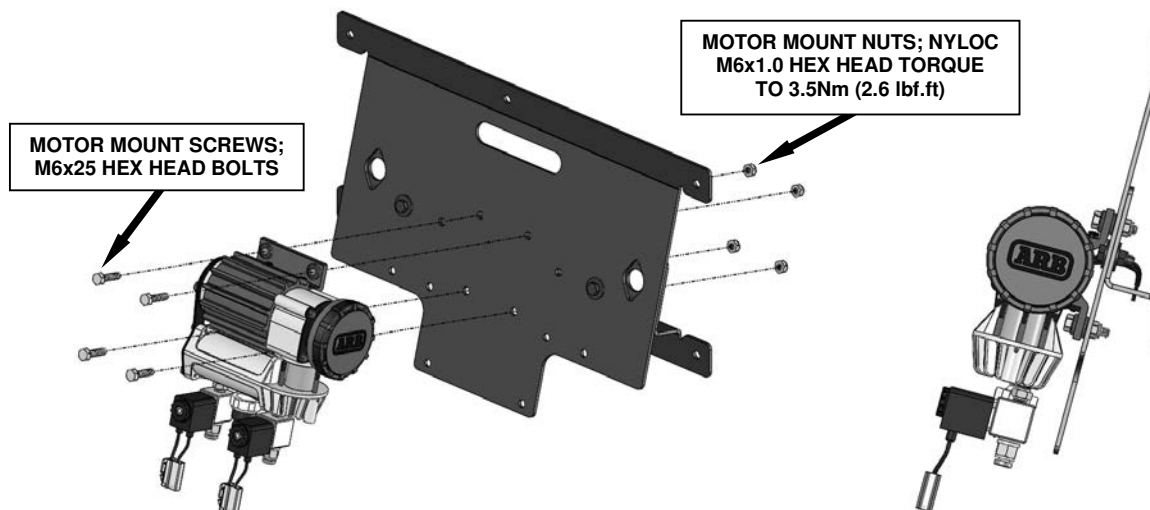
### 2.2 Assembling a Single Compressor (CKSA or CKMA - Optional)

Secure the Compressor to the plate assembly using the inside hole pattern and M6 fasteners from the Compressor Kits shown below.

Refer to the respective Compressor Manual to adjust it to the position shown.

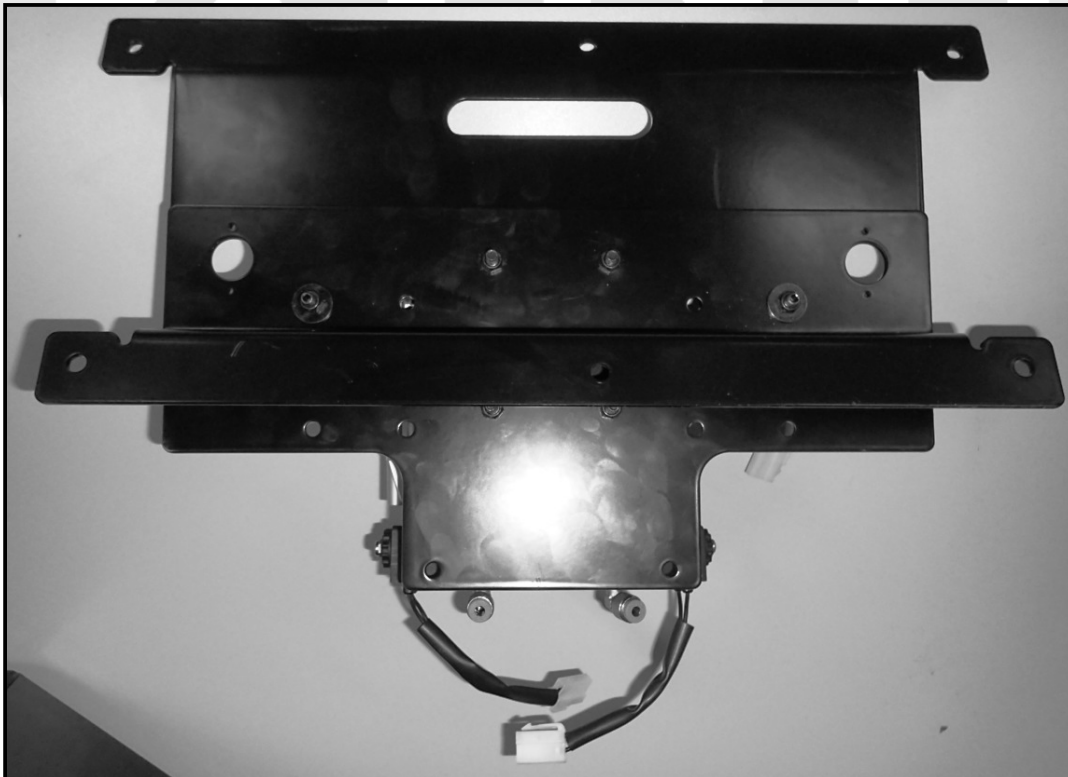
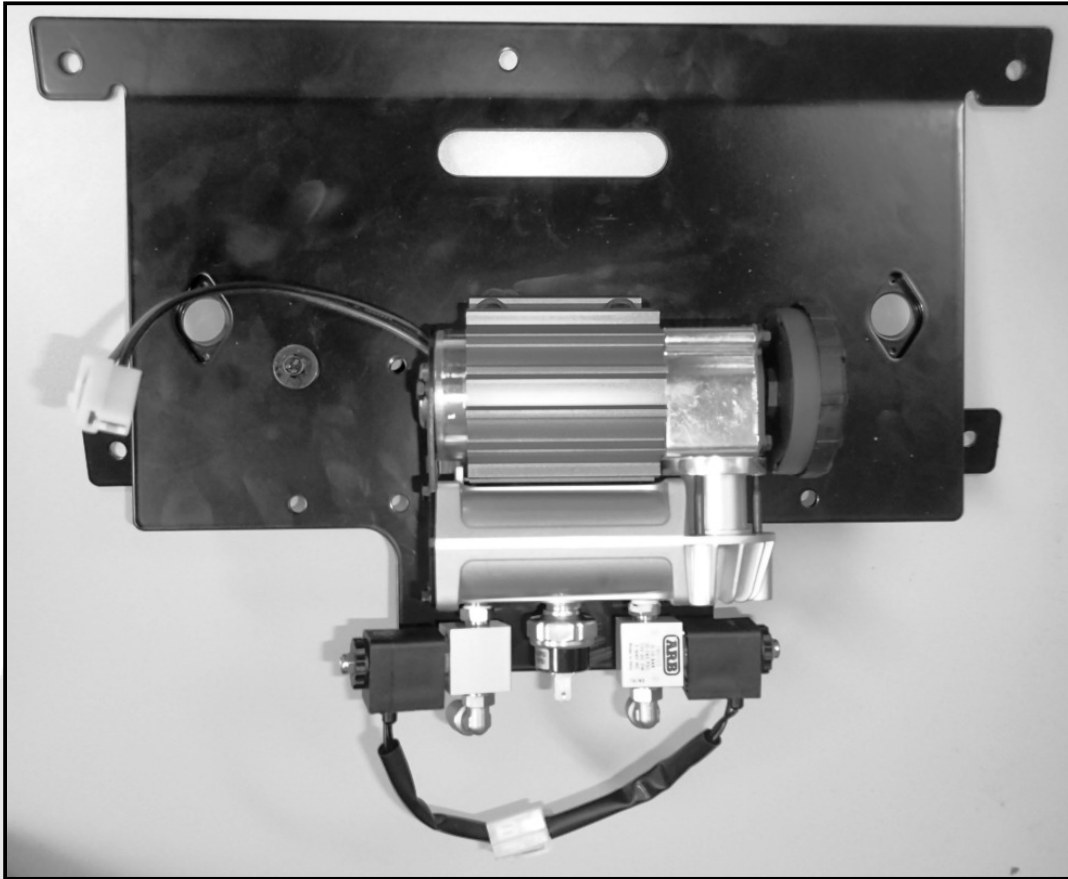
**NOTE :** Compressors are not supplied with this kit. Solenoids are included in the ARB Air Locker Kits. Please refer to the list of Compatible Products above or your nearest ARB Supplier for further details.

#### CKSA Single Compressor

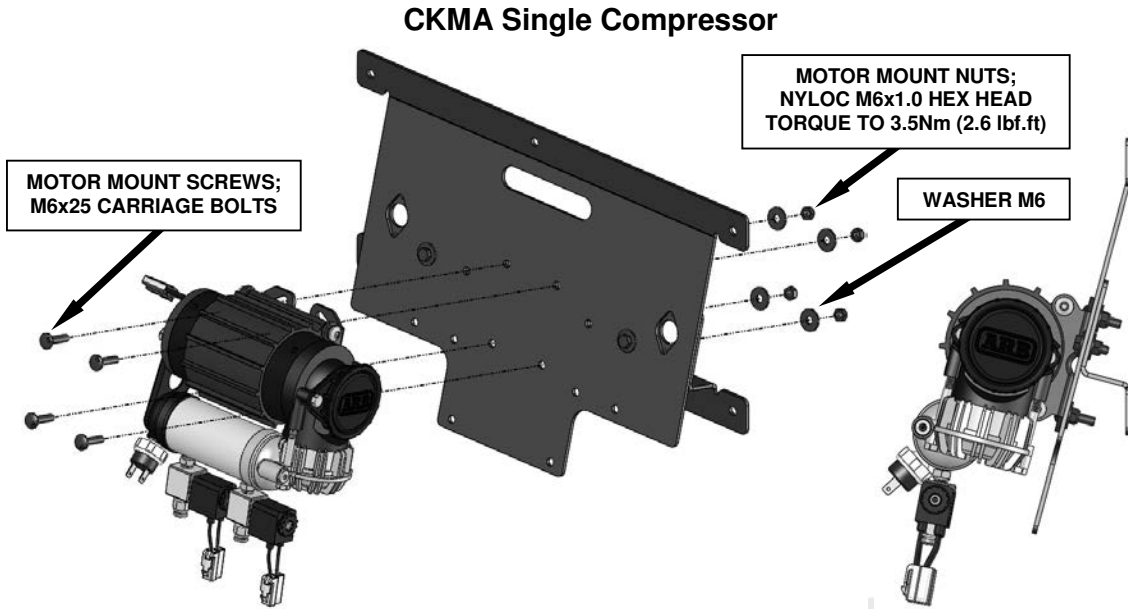


## 2 Configuring the Compressor Bracket

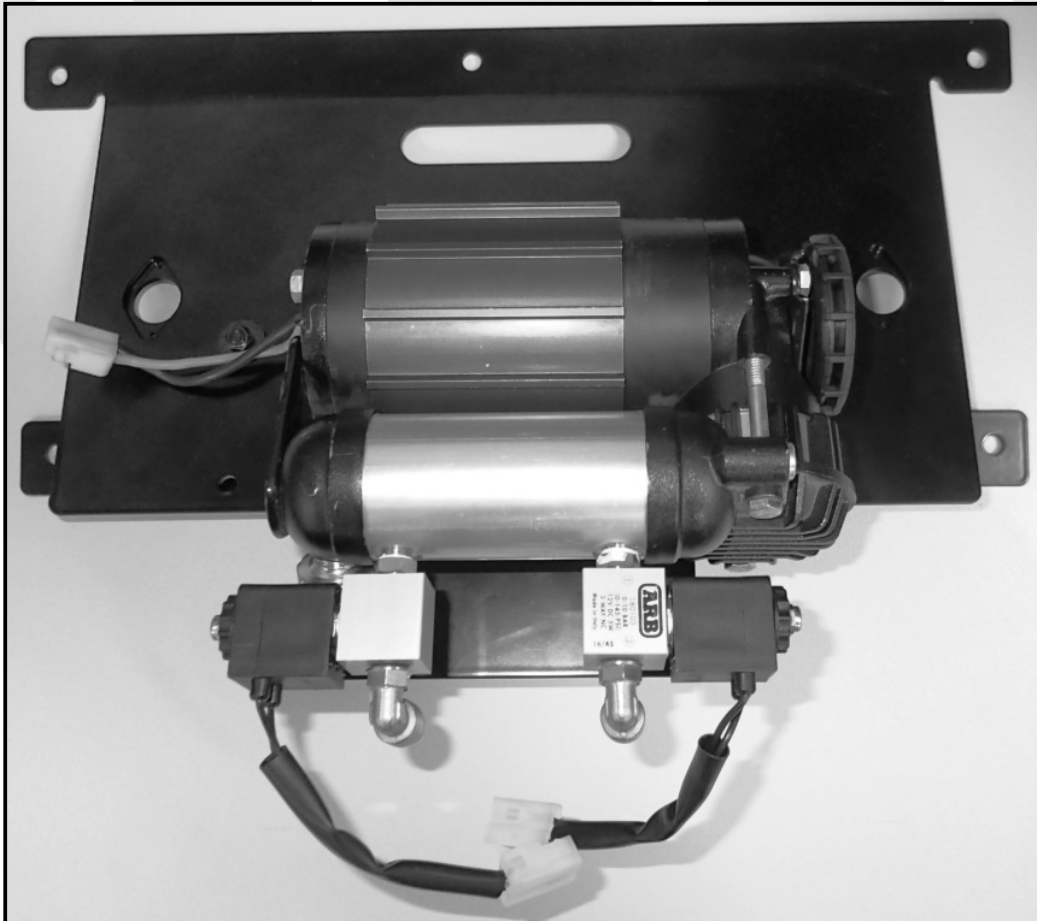
Completed assembly of CKSA Single Compressor with optional Air Locker Solenoids is shown below.



## 2 Configuring the Compressor Bracket

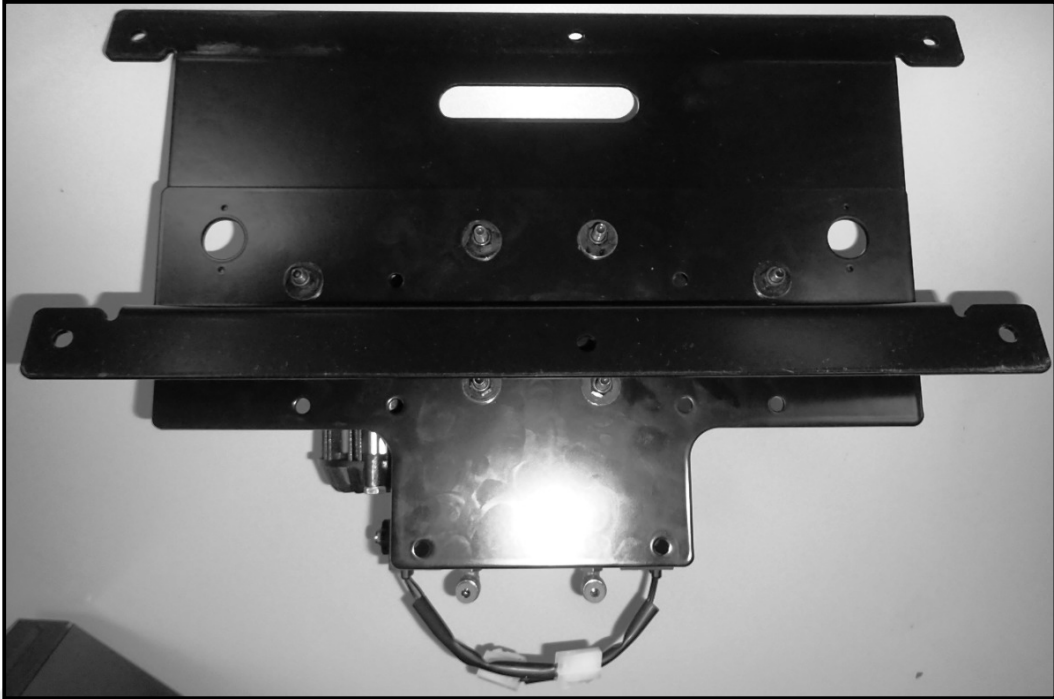


- Completed assembly of CKMA Single Compressor with optional Air Locker Solenoids is shown below.





## 2 Configuring the Compressor Bracket



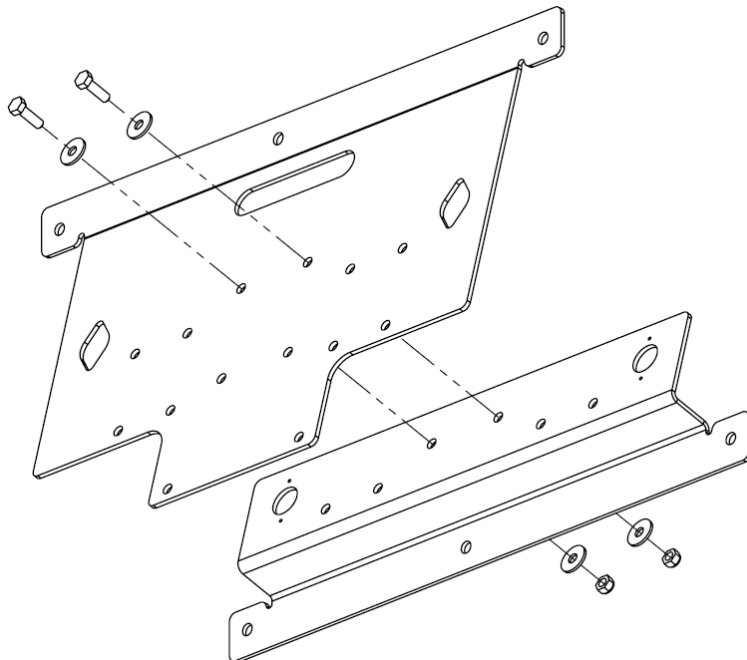
### 2.3 Pre-Assembly of Bracket (CKMTA Twin Compressor)

#### **IMPORTANT :**

Steps 2.3 to 2.6 apply to the installation of a Twin Compressor (ie CKMTA) with optional Compressor Manifold and Air Filter Relocation Kits noted in the list of Compatible Products.

Use the supplied M6 fastener sets as shown below to connect the two brackets in the assembly.

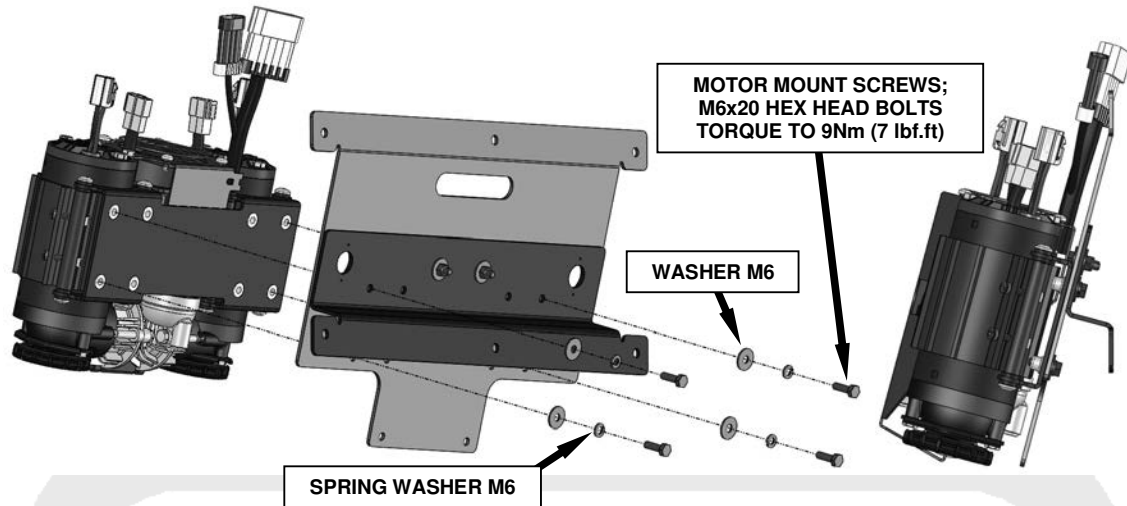
**NOTE :** Take care to align all holes carefully then torque to 9Nm (7 lbf.ft).



## 2 Configuring the Compressor Bracket

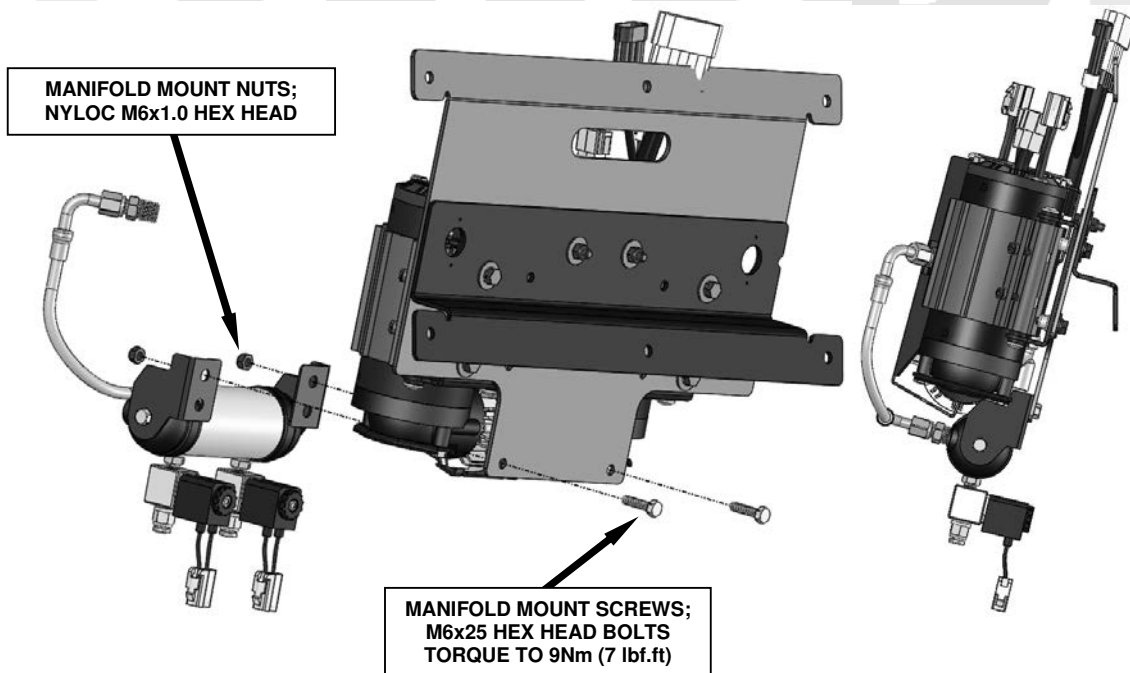
### 2.4 Assembling a Twin Compressor (CKMTA - Optional)

- Secure the Compressor to the plate assembly using the inside hole pattern and a minimum of 4x M6 fastener sets from the Compressor Kit as shown below. Torque to 9Nm (7 lbf.ft).



### 2.5 Installing the Compressor Manifold Kit (Optional)

- Install the Manifold Kit to the Lower Plate as shown. Torque to 9Nm (7 lbf.ft).
- Refer to the CKMTA & Air Locker Manifold Installation Guides to install the manifold and braided hose at the position shown. Ensure the connections are sealed effectively.

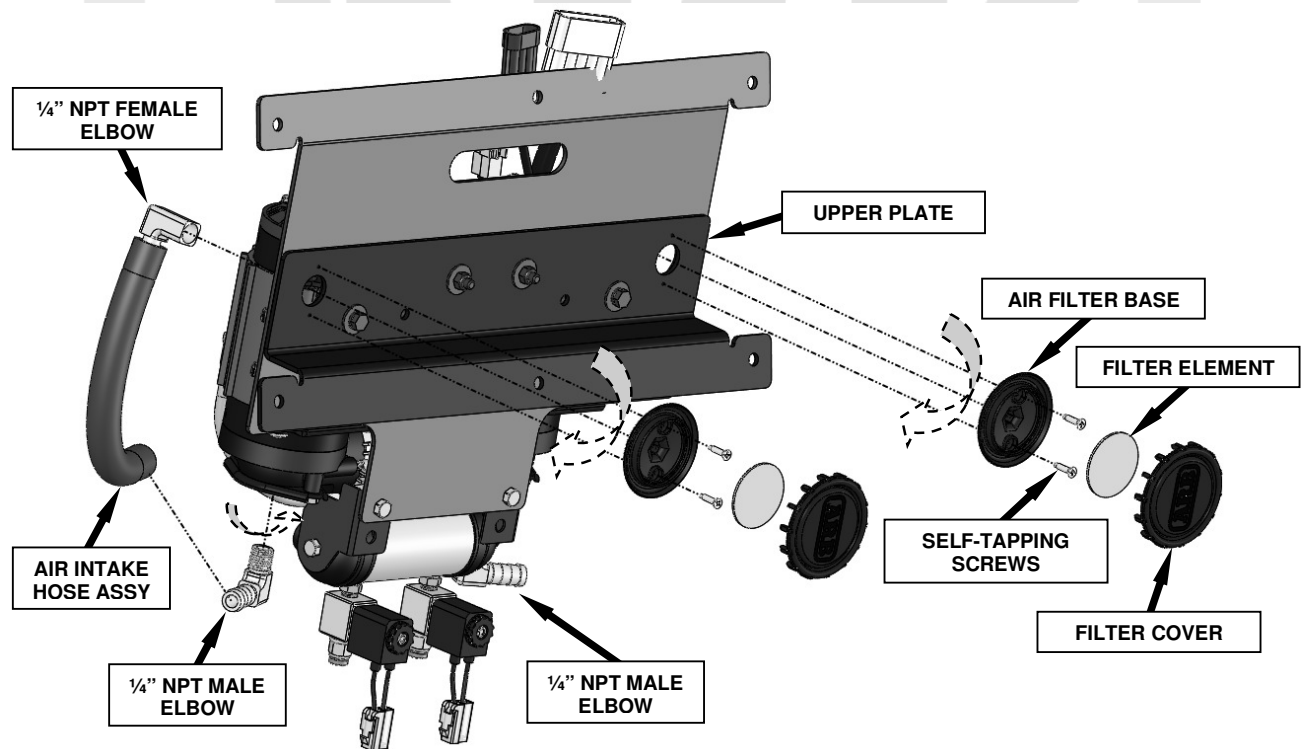


## 2 Configuring the Compressor Bracket

### 2.6 Installing the Air Filter Relocation Kit/s (NOTE: This Kit must be installed if installing the Optional Air Locker Manifold Kit)

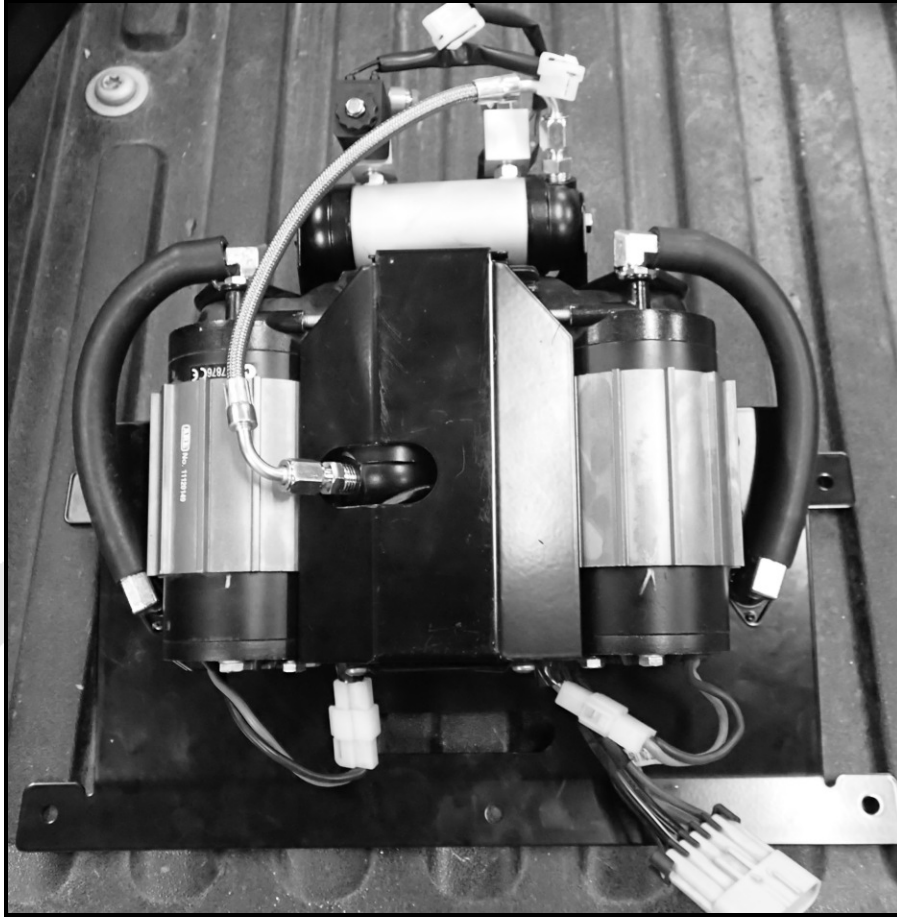
- If applicable, install the Air Filter Relocation Kits (x2)
- Begin by preparing two air intake hose assemblies. Cut two pieces of rubber intake hose to the correct length (ie 190mm each) and assemble one 1/4" NPT Female elbow to each hose end.
- Install the remaining two 1/4" NPT Male elbow fittings to each of the two intake ports on the compressor unit where the Filter Housings had previously been removed.
- Remove the outer Filter Covers on the two Filter Sub-Assemblies and remove the enclosed Filter Elements.
- Assemble each air intake hose sub-assembly to each Filter Base through the Upper Plate by screwing the Filter Base into the 1/4" NPT Female Elbow until secure. Hand tighten to seal.
- Locate the two countersunk holes in the Filter Base and corresponding holes in the Upper Plate, then panel mount each Filter Base onto their respective locations as indicated using the two self-tapping screws supplied in each Relocation Kit. Take care to avoid debris entering the hose fittings.
- Once the Filter Base is secured, re-assemble the Filter Elements with the "coarse" side facing away from the Compressor, and then snap the Filter Cover back in place onto the Filter Base.
- Connect the free end of each of the intake hoses to the respective 1/4" NPT Male Elbow bars.

**HINT :** Use a Power Drill/Driver with magnetic Phillips bit to secure the Filter Base to the Upper Plate. Be careful NOT to over torque the screws as it may damage the housings.



## 2 Configuring the Compressor Bracket

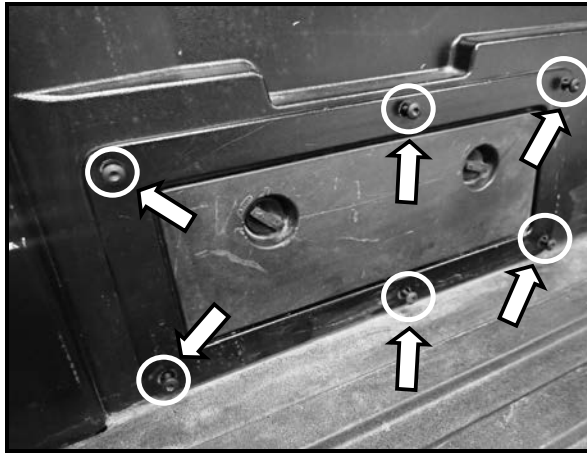
- Completed assembly of CKMTA Twin Compressor with optional Air Locker Manifold and Air Filter Relocation Kits is shown below.



### 3 Installing the Compressor Bracket Assembly

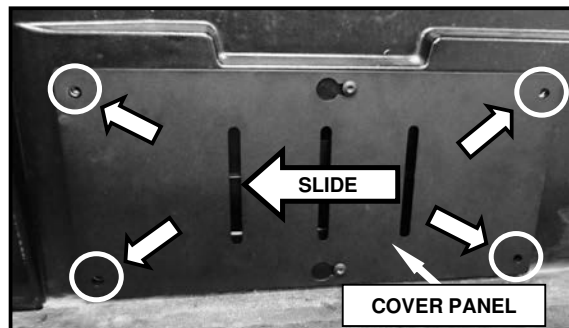
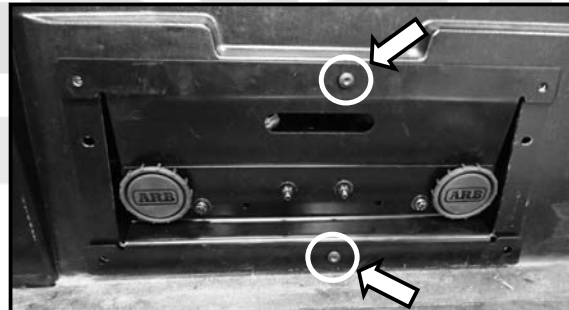
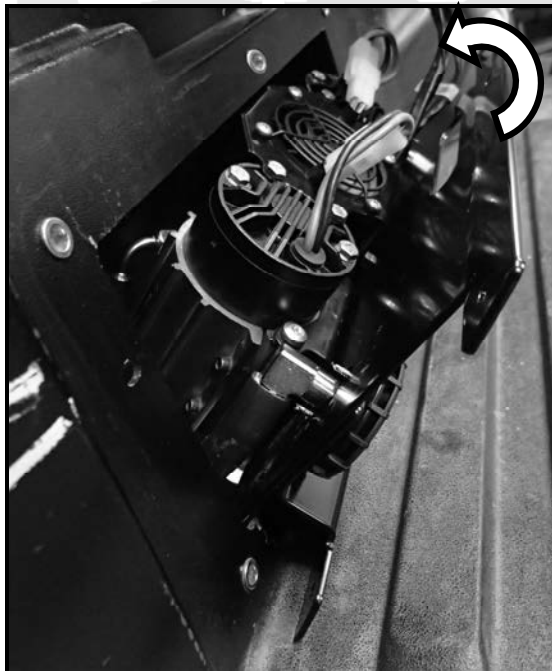
#### 3.1 Remove OE Compartment and Fasteners

- Remove the OE Storage Compartment/Cover by unscrewing six Torx screws. Retain these screws to be re-installed later. (LHS shown)



#### 3.2 Installation of Compressor Bracket Assembly

- Maneuver the Compressor Bracket assembly into the compartment cavity and rotate into place as shown below. **Take care to feed all cables inside the cavity clear of the mounting faces.**
- Loosely install the two centre OE Torx screws securing the bracket to the truck.
- With these screws loose, place the Cover Panel over them and slide it sideways into place.
- Fit the remaining four Torx screws through the Cover Panel and Bracket and tighten all fasteners to 9Nm (7 lbf.ft).



### 3 Installing the Compressor Bracket Assembly

#### 3.3 Installation of Accessories

- Refer to the relevant Installation Guides when configuring ALL optional accessories with this Kit such as ARB Air Lockers, CKSA, CKMA, CKMTA Compressors, Air Locker Manifold Kit...

#### 3.4 Post-Installation Check List

Now that the compressor installation has been completed, ARB recommends that you take the time to complete the following check list just to insure that you haven't missed any of the vital steps.

- The air system has been leak tested.
- The air filter position will not be exposed to moisture, dust or dirt.
- All air lines and wiring have been securely cable tied to resist snagging.
- Switch(es) have been securely mounted within operator reach, yet well away from danger of accidental engagement.
- Switch(es) function properly and illuminate to indicate activation.

For warranty and service purposes, please fill in the following fields and supply a copy to the customer (if applicable).

**ARB PRODUCT MODEL NUMBER:** \_\_\_\_\_

**SERIAL No:** \_\_\_\_\_

**POINT OF SALE (NAME/LOCATION):** \_\_\_\_\_

**DATE OF PURCHASE:** \_\_\_\_\_

**INSTALLATION PERFORMED BY:** \_\_\_\_\_

**DATE OF INSTALLATION:** \_\_\_\_\_

**VEHICLE MAKE:** \_\_\_\_\_

**VEHICLE MODEL:** \_\_\_\_\_

**VEHICLE YEAR OF MANUFACTURE:** \_\_\_\_\_

